

CORNERING

CHALLENGE PRODUCTS



CORNERING MACHINE



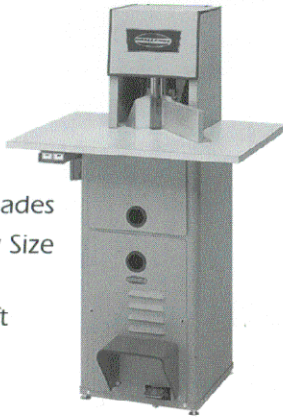


CORNERING

Cut Corners On Big Jobs

Features

- 6 Sizes of Cornering Blades
- Handles Any Size Sheet
- Four Inch Lift Capacity
- Hydraulic Powered
- Precise Cutting Action
- Gravity Chip Disposal



Greater Production

Increase your production with the large four inch lift capacity. Hydraulically powered knife minimizes operator fatigue and provides the power needed for cornering difficult jobs of index and coated stock.

Convenient Chip Disposal

On the illuminated table, cornering chips drop down behind the knife into a removable bin.

Precision Cornering

Six different sized cornering knives and dies are available for the Challenge cornering machine. Comes with one knife and die set (specify size when ordering).

Meeting Your Needs

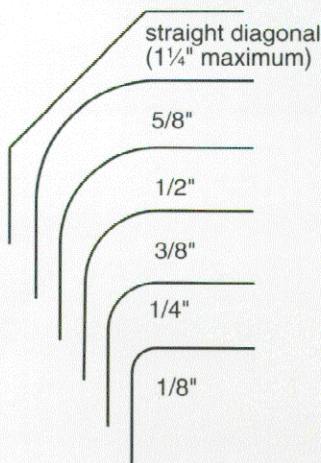
For more information on the Challenge Cornering Machine or other bindery products to help increase your production, contact your authorized Challenge dealer.

The Finishing Touch

Dependably accurate cutting with each cornering stroke gives your jobs an added professional quality.

Corner Any Size Stock

The single cornering machine will handle any size stock on its open table.



Specifications

CORNERING

Maximum Lift Height	4" / 10 cm
Range Of Lift Widths	Open
Corner Sizes Handled	1/8", 1/4", 3/8", 1/2", 5/8", and straight* 3 mm, 6 mm, 13 mm, 16 mm, and straight* * (1 1/4"/3.2 cm max., 1/2"/2.54 cm recommended)

DIMENSIONS

Table Depth	24" / 61 cm
Table Width	32" / 81cm
Table Height	36" / 91cm
Height Overall	52" / 132 cm
Floor Space Required	32" x 24" / 81 x 61 cm
Net Weight	265 lbs / 129 kg
Shipping Weight (approx.)	280 lbs / 137 kg

ELECTRICAL

Standard Motor:	1/2 H.P., 60 Hz, A.C., 115 Volts, 13 Amps., Service size 20 Amps. Note: Special NEMA 5-20R required for 20 Amp service.
-----------------	---

Challenge reserves the right to make changes to any product or specification without notice and without incurring responsibility to existing units.

© Challenge is a registered trademark of The Challenge Machinery Company.

For information on this and other Challenge products, call your local Challenge dealer. For the dealer nearest you, contact:

The Challenge Machinery Company
1433 Fulton Avenue, Grand Haven, MI 49417-1594 U.S.A.

616-842-8300

www.ChallengeMachinery.com